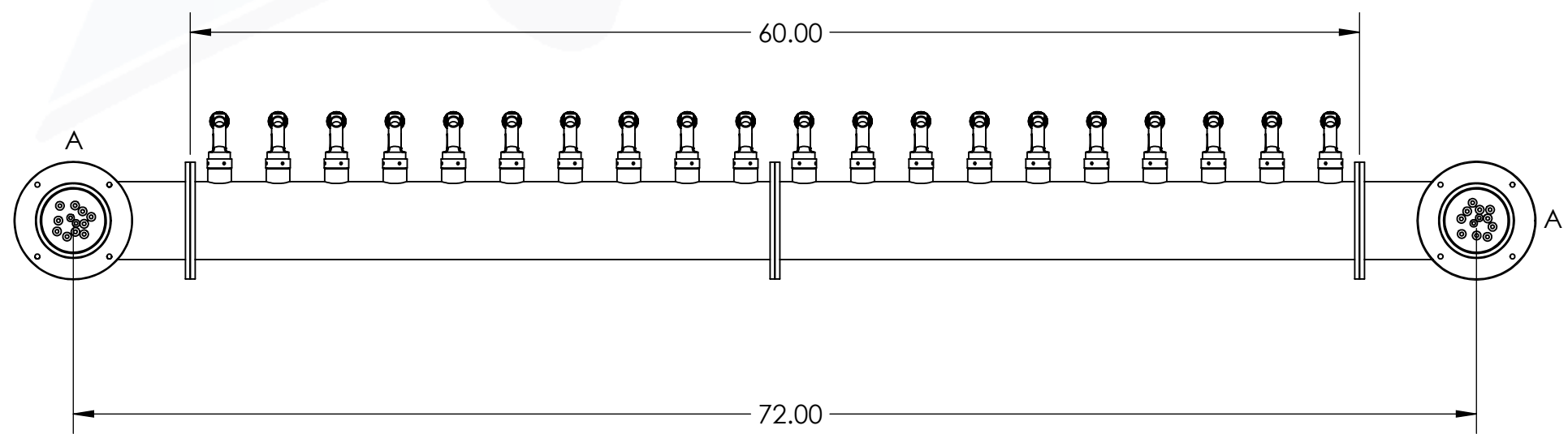
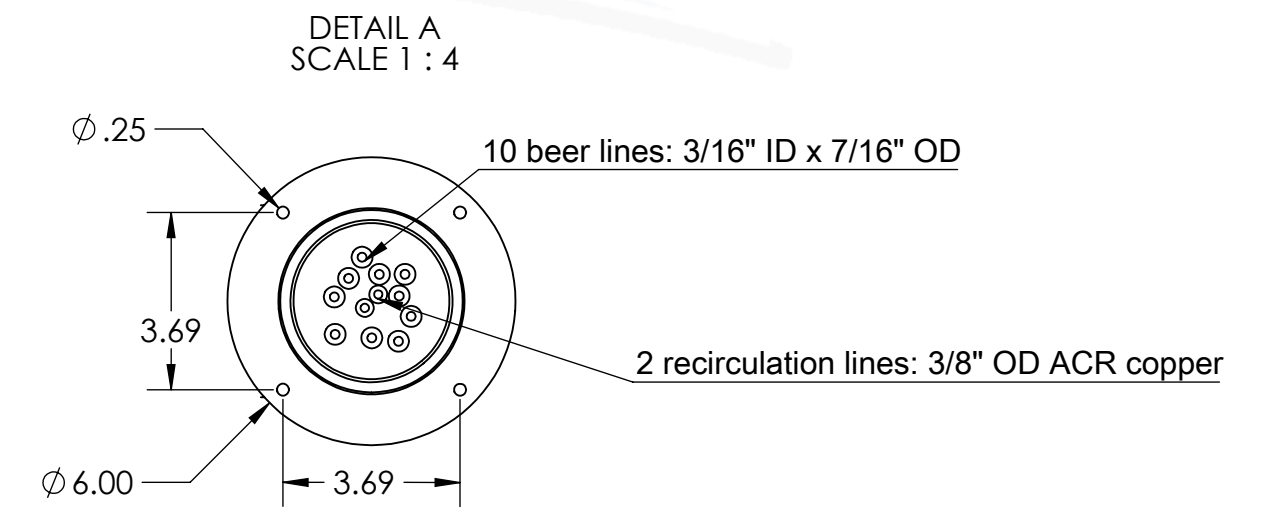


304SS tube connected to CBS NSF Flexible  
Total Barrier Tubing to 15lbs of Restriction



**Suggested Drip Tray:**  
 2 x BB701330 - 30" x 7" BSS Drip Tray  
 2 x BB702430 - 30" x 7" BSS Spray Drip Tray



Name		Date	Title:	
Drawn By:	Chillmax Beverages Solutions, LLC	03/01/2024	20T(3"OC) BSS LIONS GATE CH-MX CLD	
Approved By:	Production Manager		Part Number:	Revision:
Material:	304 SS	Finish:	Brushed SS	BB101829-20GC
Unless otherwise mentioned, dimensions are inches				Scale: